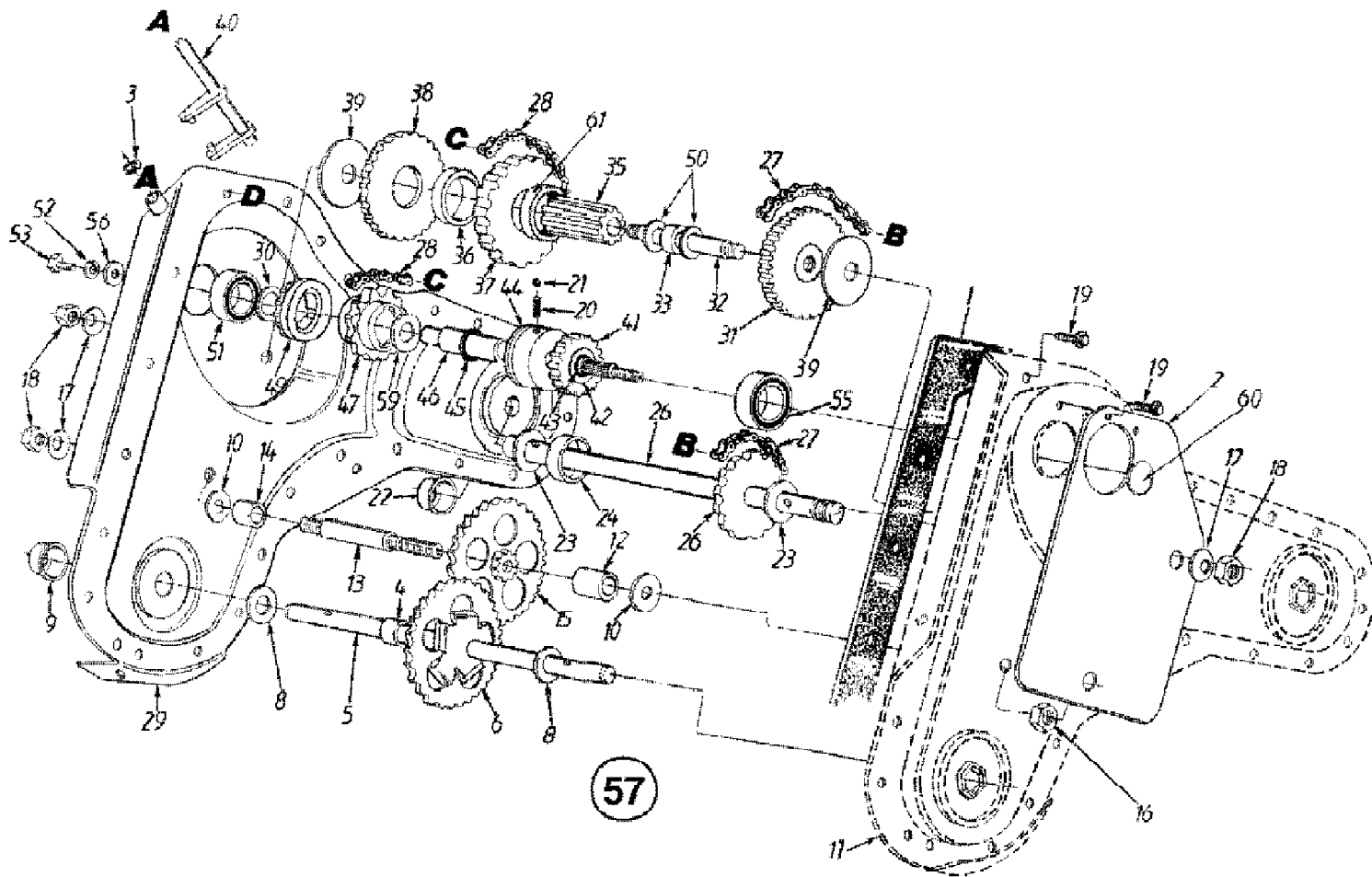


21A-400-190 Roto Boss 530 (1997)  
Engine, Wheel Ass'y, Belts And Pulleys

Page 2 of 8

Ref #	Part Number	Qty	S/P/F	Description
1	710-0118	1	S	Hex Bolt 5/16-18 x .75" Lg.
2	712-3004A	1	/P	Hex Flange Top L-Nut 5/16-18 Thd.
3	786-0107	1		Cable Mtg. Bracket
4	710-1017	1	/P	Torx Mach. AB-Tap Scr. 1/4 x .6" Lg.
5	738-0899	1		Belt Cover Bolt
6	786-0117	1	S	Shift Cover Bracket
7	786-0100-0662	1		Belt Cover
8	736-0142	1	S	FI-Wash. .281" I.D. x .5" O.D.
9	712-0392	1	/P	Hex Cap Nut 1/4-28 Thd.
10	756-0634	1		Flat Pulley 8" O.D.
11	736-0105	1	/P	Bell-Wash. .38" I.D. x .88" O.D.
12	712-0379	1	/P	Hex Flange L-Nut 3/8-16 Thd.
13	754-0438	1	S	"V"-Belt
14	686-0031	1	S	Belt Keeper Brkt.
15	736-0119	1	S	L-Wash. 5/16" I.D.
16	710-0237	1	/P	Hex Bolt 5/16-24 x .62" Lg.
17	738-0876	1	S	Shld. Nut
18	712-0266	1	S	Hex Jam L-Nut 3/8-16 Thd.
19	756-0405	1	/P	FI-Idler w/Flanges
20	710-0152	1	S	Hex Bolt 3/8-24 x 1" Lg.
21	736-0217	1	S	L-Wash. 3/8" I.D.
22	736-0258	1	/P	FI-Wash. 3/8" I.D. x 1" O.D.
23	756-0972	1		Outer Engine Pulley Half
24	756-0971	1		Inner Engine Pulley Half
25	786-0080	1	S	Idler Bracket
26	710-0723	1	/P	Hex Bolt 3/8-16 x 1.25" Lg.
27	746-0916	1	S	Clutch Cable
28	734-0255	1	S	Air Valve
29	714-0104	1	S	Hairpin Clip
30	711-1017	1	/P	Clevis Pin
31	634-0108-0662	1		Rim Only
32	634-0106	1		Wheel Ass'y. Comp. - R.H.
	634-0107	1		Wheel Ass'y. Comp. - L.H.
	734-0808	1	S	Tire Only
34	619-0009	1	S	Frame Counterweight
35	710-1007	1	/P	Hex L-Wash. TT-Tap Scr. 3/8-16 Thd.
36	710-3002	1	S	Hex Bolt 5/16-18 x 1" Lg. (Gr. 5)
37	712-3004A	1	/P	Hex Flange L-Nut 5/16-18 Thd.
38		1		Engine
41	686-0043A	1	/P	Tine Shield Brkt. Ass'y.
42	710-3038	1	/P	Hex Bolt 5/16-18 x 7/8" Lg.



21A-400-190 Roto Boss 530 (1997)  
Gear Case Ass'y

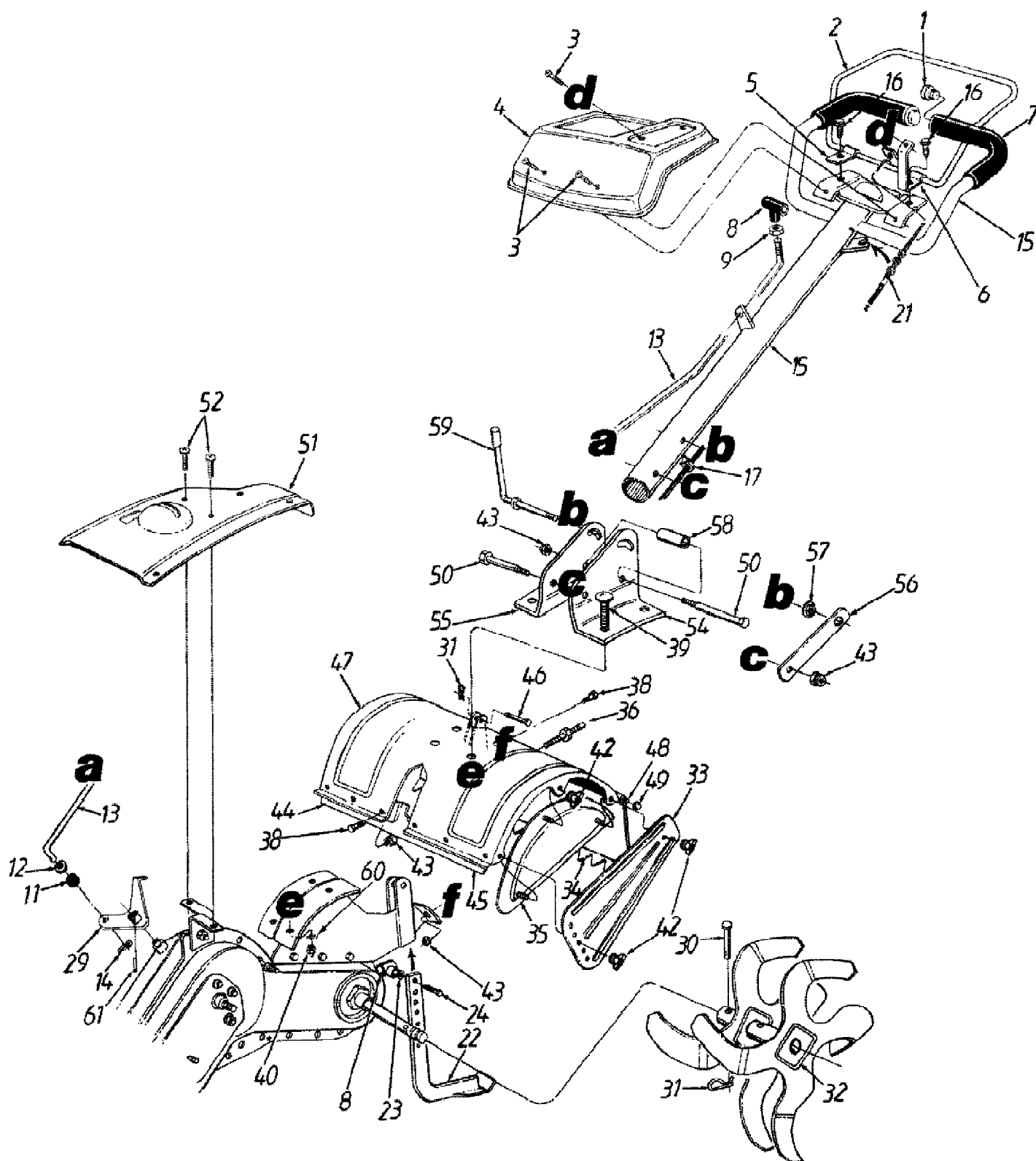
Page 4 of 8

Ref #	Part Number	Qty	S/P/F	Description
1	721-0295	1		Chain Case Gasket
2	786-0086	1	S	Reinforcement Plate
3	716-0865	1	/P	Snap Ring
4	750-0938	1	S	Spacer .735" I.D. x .886" O.D.
5	611-0058	1	S	Wheel Shaft Code: N Notates a new part (not previously existing)
6	717-1458	1		Spur Gear 46T Code: N Notates a new part (not previously existing)
8	736-0351	1	S	FI-Wash. .76" I.D. x 1.5" O.D.
9	721-0379	1	/P	Shaft Seal Code: N Notates a new part (not previously existing)
10	736-0406	1	S	FI-Wash. 7/16" I.D. x 1-3/8" O.D.
11	686-0039	1	S	Gear Case Ass'y. Half - L.H.
12	750-0935	1		Spacer .635" I.D. x 1" O.D. x .78
13	738-0885	1		Jack Shaft 2.06" Lg.
14	750-0936	1	S	Spacer .635" I.D. x 1" O.D. x .37" Thk.
15	617-0004	1	S	Gear Idler Ass'y.
16	712-3067	1	/P	Hex Patch L-Nut 7/16-20 Thd.
17	736-0407	1		Bell-Wash. .45" I.D. x 1" O.D.
18	712-0378	1	/P	Hex Nut 7/16-20 Thd.
19	710-0896	1	/P	Hex Wash. Hd. TT-Tap Scr. 1/4-20 x .5" Lg.
20	732-0863	1	S	Spring Detent
21	741-0862	1	/P	Ball Detent
22	721-0378	1	S	Shaft Seal Code: N Notates a new part (not previously existing)
23	736-0163	1	S	Thrust Wash. 1.03" I.D. x 1.62"
24	750-0570	1	S	Spacer 1" I.D. x 2" O.D. x .5" Thk.
26	611-0021	1	/P	Tine Shaft Ass'y.
27	713-0226	1	S	Chain #50 5/8" Pitch x 52 Links - Endless
28	713-0223	1	S	Chain - #41 1/2" Pitch x 30 Links - Endless
29	686-0038	1		Gear Case Ass'y. Half-R.H.
30	736-0541	1	S	FI-Wash. 7/16" I.D. x 1-3/8" O.D.
31	617-0002	1	S	Gear and Sprocket Ass'y.
32	738-0884	1		Jack Shaft 5" Lg.
33	750-0931	1		Spacer .636" I.D. x .86" O.D.
35	717-1411	1	S	Spur Gear 10T
36	750-0930	1	S	Spacer 1.5" I.D. x 1.76" O.D.
37	713-0436	1		Sprocket - #41 Chain
38	717-1405	1		Reverse Gear 46T
39	736-0518	1		Thrust Wash. .445" I.D. x 1.92"
40	618-0245	1	S	Shifter Ass'y. Code: N Notates a new part (not previously existing)
41	717-1409	1		Spur Gear 17T
42	736-0442	1		FI-Wash. .69" I.D. x 1.06" O.D.
43	732-0614	1		Wire Ring
44	718-0234	1		Clutch Collar
45	716-0235	1	S	Retaining Ring .875" Shaft
46	711-1087	1		Drive Shaft Code: N Notates a new part (not previously existing)
47	713-0435	1		Sprocket 11T

21A-400-190 Roto Boss 530 (1997)  
Gear Case Ass'y

Page 5 of 8

Ref #	Part Number	Qty	S/P/F	Description
49	717-1451	1	S	Spur Gear 16T
50	736-0336	1	S	FI-Wash. 5/8" I.D. x 1" O.D.
51	741-0124	1	S	Ball Bearing .669" I.D.
52	736-0329	1	S	L-Wash. 1/4" I.D.
53	710-0258	1	S	Hex Bolt 1/4-20 x .62" Lg.
55	741-0563	1	S	Ball Bearing
56	736-0512	1		FI-Wash. .281" I.D. x .875" O.D.
57	686-0094	1	S	Gear Case Ass'y. Comp. Code: N Notates a new part (not previously existing)
?58	718-0237	1	S	Key-Drive Shaft (Not shown)
59	736-0265	1	/P	FI-Wash. .88" I.D. x 1.5" O.D.
60	726-0331	1		Button Plug
61	750-0987	1	S	Spacer 1.52" I.D.
	737-0148	40	S	Grease 40 oz. Req'd.



21A-400-190 Roto Boss 530 (1997)  
Handle, Tine Shield, Blades And Labels

Page 7 of 8

Ref #	Part Number	Qty	S/P/F	Description
1	735-0246	1		Vinyl End Plug
2	647-0014	1		Clutch Control Ass'y.
3	710-1017	1	/P	Torx Mach. AB-Tap Scr. 1/4 x .62" Lg.
4	786-0131-0662	1		Handle Cover
5	786-0098	1	S	Retaining Brkt. - R.H.
6	786-0118	1	S	Retaining Brkt. - L.H.
7	720-0278	2 Req'd.	S	Grip
8	720-0210A	1	/P	Knob
9	712-3008	1	S	Hex Jam Nut 3/8-16 Thd.
11	735-0127	1	/P	Rubber Washer
12	736-0204	1	/P	FI-Wash. .344" I.D. x .6" O.D.
13	747-0902	1		Gear Shift Rod
14	714-0104	1	S	Hairpin Clip
15	649-0023-0648	1		Handle Ass'y.
16	710-0599	1	/P	Hex Wash. Hd. TT-Tap Scr. 1/4-20 x .5" Lg.
17	726-0330	1		Cable Clip
21	746-0916	1	S	Clutch Cable
22	786-0120	1	S	Depth Bar
23	736-0117	1	S	FI-Wash. 3/8" I.D. x 5/8" O.D.
24	710-0253	1	S/F	Hex Bolt 3/8-16 x 1" Lg.
29	686-0095	1	S	Shift Brkt.
30	711-0415	1	S	Clevis Pin
31	714-0149B	1	S	Hairpin Clip
32	642-0015	1	S	Tine Ass'y. - L.H.
	642-0016	1	S	Tine Ass'y. - R.H. (Not shown)
33	786-0090-0648	1		Side Shield
34	786-0113-0648	1		Rear Tine Shield
35	686-0044A-0648	1		End Cover Ass'y.
36	738-0849	1	S	Hex Bolt 5/16-18 x 1" Lg.
38	710-3002	1	S	Hex Bolt 5/16-18 x .75" Lg.
39	710-3097	1		Carriage Bolt 3/8-16 x 1" Lg.
40	712-0798	1	/P	Hex Nut 3/8-16 Thd.
42	712-0421	1		Wing Nut 5/16-18 Thd.
43	712-3004A	1	/P	Hex Flange Top L-Nut 5/16-18 Thd.
44	786-0076	1	S	Tine Shield Brkt. - R.H.
45	786-0077	1	S	Tine Shield Brkt. - L.H.
46	711-0415	1	S	Clevis Pin .375" Dia.
47	786-0085-0648	1		Tine Shield
48	747-0432	1		Tiller Flap Rod
49	726-0106	1	S	Cap Speed Nut
50	710-0189	1	/P	Hex Bolt 5/16-18 x 3" Lg.
51	786-0101A	1	S	Shift Cover Code: N Notates a new part (not previously existing)
52	710-1017	1	/P	Torx Mach. AB-Tap Scr. 1/4 x .6"
54	786-0109-0648	1		Handle Brkt. - L.H.
55	786-0108-0648	1		Handle Brkt. - R.H.
56	784-0191	1		Hex Nut Retainer Brkt.
57	712-0379	1	/P	Hex Flange Nut 3/8-24 Thd.
58	750-0885	1	S	Spacer .322 Dia.
59	784-0190	1		Handle Adjustment Crank
60	736-0169	1	S/F	L-Wash. 3/8" I.D.
61	715-0120	1	S	Spiral Pin 1" Lg.

21A-400-190 Roto Boss 530 (1997)  
Handle, Tine Shield, Blades And Labels

Ref #	Part Number	Qty	S/P/F	Description
	777-4732	1		Label - Roto Boss "530" - Side of Engine
	777-4730	1		Label - Handle Panel
	777-4731	1		Label - Belt Guard